



CUSHION CLAMP

Tube Size
Model STCC

SIZE:

3/8" thru 4 1/8"

FINISH:

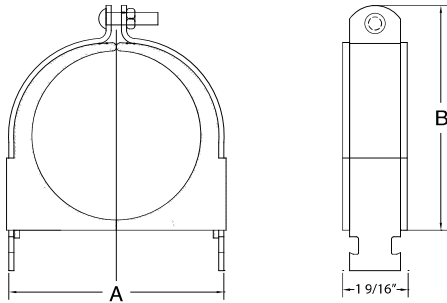
Yellow di-chromate

FUNCTION:

Fits any standard 1 5/8" wide strut channel

FEATURES:

- Ideal for multiple runs while absorbing shock and vibration, reducing unwanted noise and preventing galvanic corrosion
- Interlock edges and channel locator legs help ensure that the cushion remains in place
- Temperature range: -65F to 275F



Cushion Clamp: Loads (LBS) • Weights (LBS) • Dimensions (IN)

ITEM CODE	COPPER TUBE SIZE (O.D.)	MAX LOAD	WEIGHT	I.D.	A	B
STCC-037YZ	3/8	400	0.11	0.34	0.85	1.16
STCC-050YZ	1/2	400	0.13	0.53	0.97	1.37
STCC-062YZ	5/8	400	0.14	0.60	1.05	1.54
STCC-075YZ	3/4	600	0.14	0.78	1.23	1.71
STCC-087YZ	7/8	600	0.15	1.15	1.30	1.89
STCC-112YZ	1 1/8	600	0.18	1.08	1.52	2.14
STCC-137YZ	1 3/8	600	0.20	1.31	1.80	2.31
STCC-162YZ	1 5/8	600	0.25	1.65	2.10	2.63
STCC-212YZ	2 1/8	800	0.46	2.05	2.71	3.31
STCC-262YZ	2 5/8	800	0.51	2.51	3.17	3.90
STCC-312YZ	3 1/8	800	0.60	3.01	3.66	4.43
STCC-412YZ	4 1/8	1000	0.94	4.02	4.85	5.68