



## SPLIT RING HANGER

### Hinged Copper Coated Model 5200

**SIZE:**

Range: 1/2" thru 4"

**FINISH:**

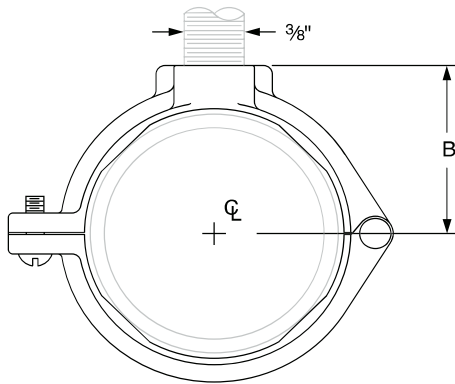
Copper-Colored Epoxy

**MATERIAL:**

Malleble Iron

**FEATURES:**

- Bolt and rivet are carbon steel.
- Hinged design provides for economical installation.
- Designed to provide a tight fit on copper tubing.
- Conforms with Federal Specification WW-H-171 (Type 25), Manufacturers Standardization Society (MSS) SP-58 and SP-69 (Type 12)



### Hinged Split Ring : Loads (LBS) • Weights (LBS) • Dimensions (IN)

ITEM CODE 5200	TUBE SIZE	ROD SIZE	MAX LOAD	WEIGHT	B
5200-0050PC	1/2	3/8-16	300	0.13	7/8
5200-0075PC	3/4	3/8-16	300	0.15	1 1/16
5200-0100PC	1	3/8-16	300	0.17	1 1/8
5200-0125PC	1 1/4	3/8-16	300	0.28	1 1/4
5200-0150PC	1 1/2	3/8-16	300	0.29	1 7/16
5200-0200PC	2	3/8-16	300	0.32	1 5/8
5200-0250PC	2 1/2	1/2-13	600	0.39	2 1/8
5200-0300PC	3	1/2-13	600	0.48	2 7/16
5200-0400PC	4	1/2-13	600	1.06	2 7/8